

AgriPV

by Solar Steel

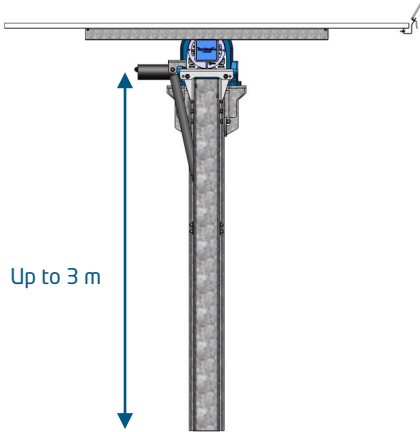
With over 20 years in the industry, we apply all our **know-how to meet the needs of each client, and especially each project and location**, ensuring compliance with all regulations for agrivoltaic solar projects.

Our commitment to innovation and excellence has positioned us as leaders in the solar industry. We understand the unique challenges and opportunities that come with integrating solar energy systems into agricultural environments. By leveraging cutting-edge technology and best practices, **we ensure that your projects not only meet but exceed industry standards.**

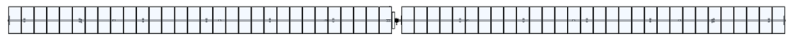
At the heart of our approach is a dedication to creating solutions that are not only effective but also environmentally responsible. We believe that the **integration of solar energy into agricultural settings offers a unique opportunity** to enhance productivity while promoting sustainability.

Our designs are committed to **optimize land use, improve crop yields, and reduce carbon footprints**, all while adhering to the highest regulatory standards, and maximizing the agrivoltaic plant's LCOE.

Side view



Front view



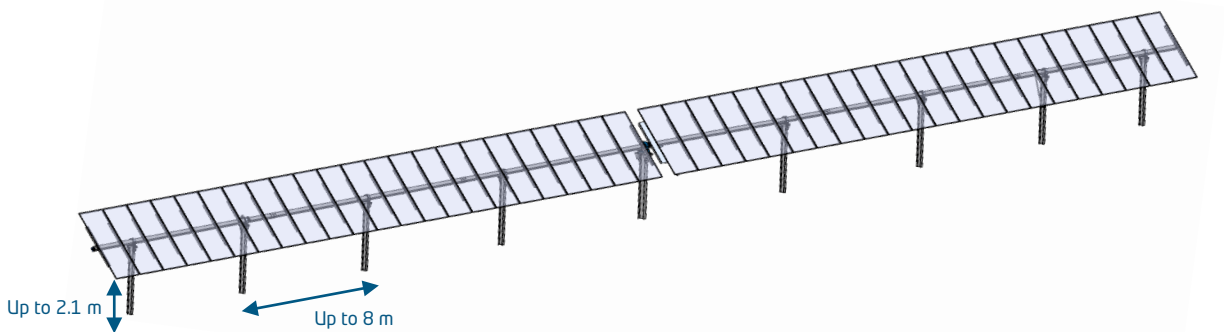
Up to 80 m

Extensively adapted to customer and AgriPV project needs

±60*
Tracking range

(*) Adaptable according to project requirements and crop evolution.

Ground clearance



Conforms to the following European standards:



Click on the different regulations to view the individual original documents.

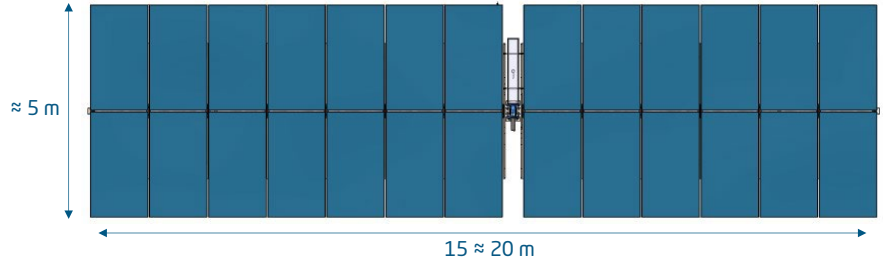
Main features

Strings per row M10/M12 cell type	Up to 2x30 modules
Beam support	Self-locking in stow position
Admissible slope N-S / E-W	15% / 15%
Ground adaptability	SmartSlope+ optional
Piles per tracker	Up to 13

Side view



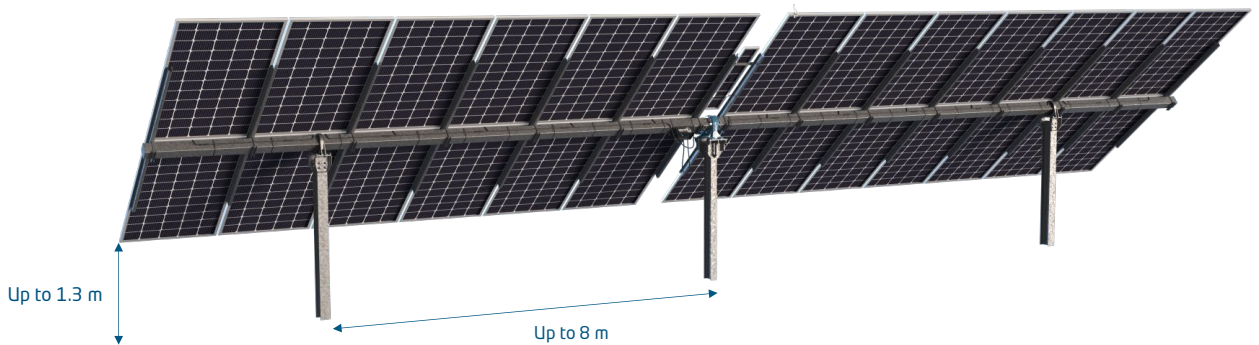
Front view



±55*
Tracking range

(*) Adaptable according to project requirements and crop evolution.

Ground clearance



Conforms to the following European standards:



Click on the different regulations to view the individual original documents.

Main features

Strings per row M10/M12 cell type	Up to 1x32 Up to 1x30
Beam support	Self-locking in stow position
Admissible slope N-S / E-W	15%
Piles per tracker	3



TracSmarT+ System

Having our own control system provides us with a wide range of possibilities, allowing the on-site user to modify and adjust the different positions and rotation angles for various field tasks and crop stages.

Additionally, it features an advanced data analysis system capable of performing predictive maintenance, allowing us to anticipate potential issues and avoid costly interruptions in the field.

Main features

Solar Tracking Algorithm	Solar Steel TracSmarT+ System SPA-NREL
Communication	Zigbee
Accuracy	+/-1°
SCADA integration	Modbus TCP

AgriPV | TracSmarT+ System

1 to 4
Fully adaptable slots

Limited
tracking range

Different crops
same AgriPV park

Pre-customized positions	Self-cleaning, hail&snow and face to face cleaning position
Customizable positions	Up to 4
Tracking angle	Adaptable to crop season and livestock's height Allow to limit tracking angle by groups or tracker per tracker



